

# Get ready for summer today!

What is the most popular ice cream flavour in the world?  
We don't know that. But we know how to store them so that  
they keep their taste, freshness and consistency!

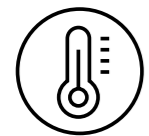
Bolarus S.A. offers devices for displaying  
and storing ice cream:

- 🍦 ice cream dispenser
- 🍦 pozzetti ice cream counter
- 🍦 ice cream storage cabinet



# Ice cream display freezer

## Vertika Ice 6



Temperature range  
-14...-22 [°C]



Refrigerant  
R290



Plug-in



### STANDARD EQUIPMENT

- Plug-in (internal compressor)
- Electronic controller with digital display of temperature
- Static cooling
- Automatic defrost
- Automatic evaporation of condensate
- Metal front and bottom panels
- Exterior body powder-coated - RAL colour
- Interior made of AISI 430 steel & aluminum
- Straight, titable front glass
- Night roller blind
- Light - neutral colour
- Inox worktop
- Without GN containers



### OPTIONAL EQUIPMENT

- Exterior body made of AISI 316 steel
- Set of MDF external covers - colour patterns
- Curved front glass
- Ice cream containers 5,2 l
- UK plug
- Price holders
- Set of castors



Storage space  
for spare ice cream

Led lighting – excellent  
product presentation



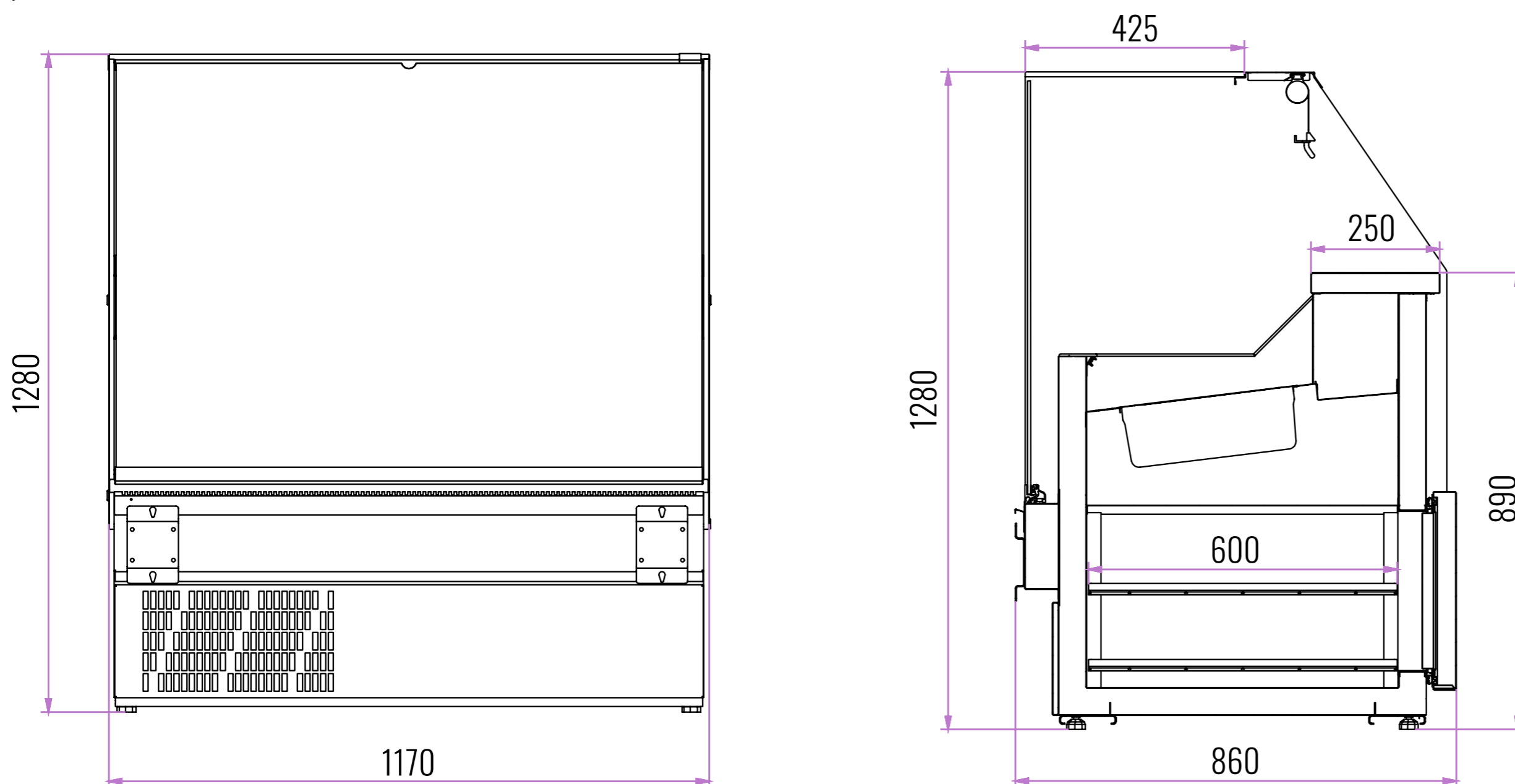
Multiplexable

Customizable  
front panels

Ice cream display freezer

# Vertika Ice 6

 TECHNICAL DRAWING

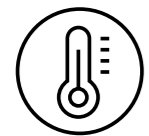


Model	Temperature range [°C]	Ambient conditions [°C/RH]	Dimensions [mm – dł x gł x wys]	Storage space capacity [l]	Number of containers	Power Supply [V/Hz]	Energy consumption [kWh/24h]	Rated power [W]	Net weight [kg]	Refrigerant
VERTIKA ICE 6	-14...-22	+25/60%	1170 × 860 × 1280	60	6	230/50	15,02	780	180	R290



## Pozzetti ice cream counter

# Krakus



Temperature range  
-7...-20 [°C]



Refrigerant  
R290



Plug-in

Pozzetti display cabinet – a combination of tradition and modern Italian design



### STANDARD EQUIPMENT:

- Plug-in (internal compressor)
- Electronic controller with digital display of temperature
- Static cooling
- Exterior body powder-coated - RAL colour
- Straight front plexiglass
- Worktop made of AISI 430 steel
- Interior made of aluminium
- Storage space made of aluminium
- INOX containers with covers - 8 pieces
- Condensate container
- Defrost by turning off



### OPTIONAL EQUIPMENT

- Exterior body made of AISI 430 steel
- Set of castors
- UK plug



8 Ice cream containers  
as standard!

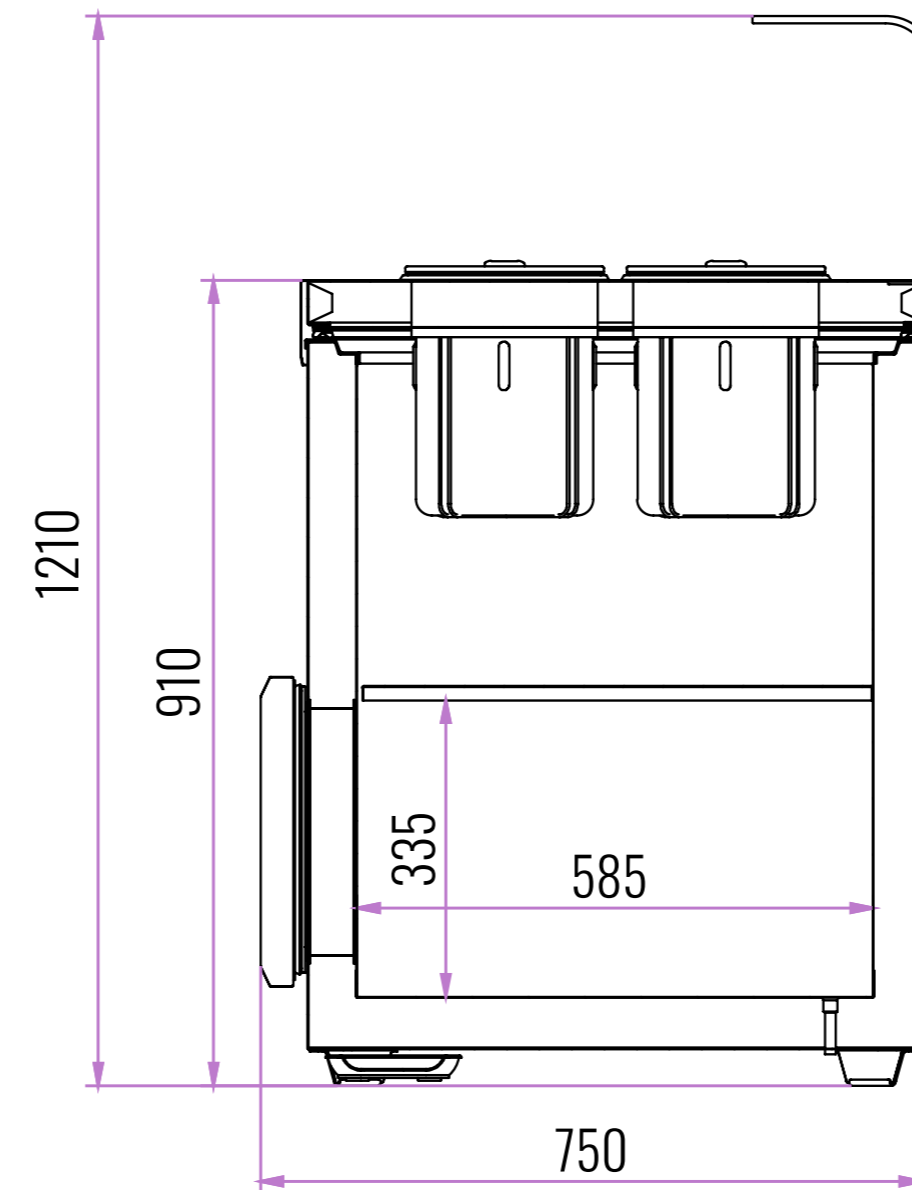
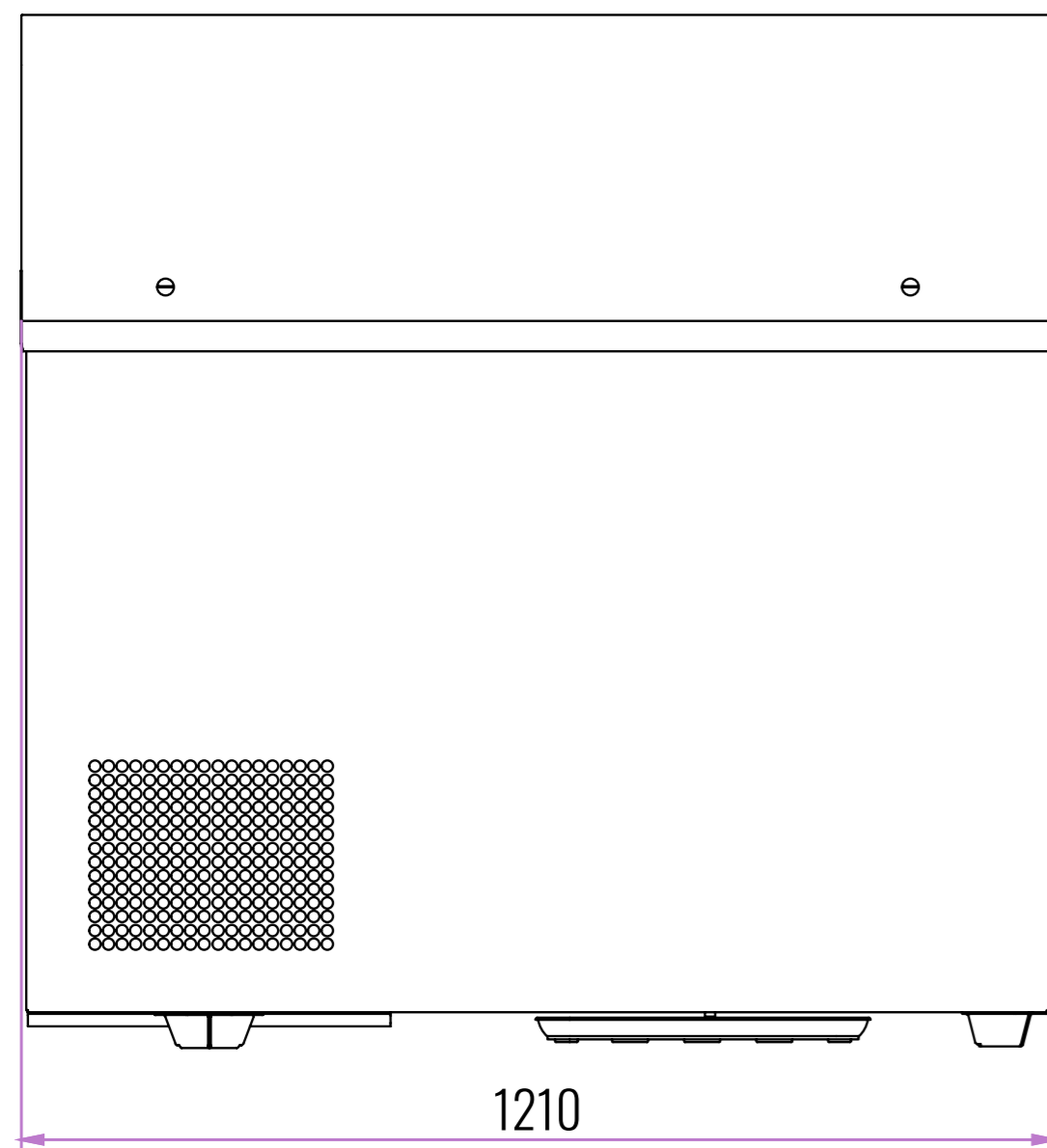
Storage space for  
spare ice cream



## Pozzetti ice cream counter

# Krakus

 TECHNICAL DRAWING



EQUIPMENT FOR STORING AND DISPLAYING ICE CREAM

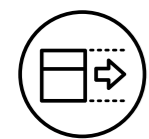
Model	Temperature range [°C]	Ambient conditions [°C/RH]	Dimensions [mm – dt x gt x wys]	Storage space capacity [l]	Number of ice cream containers	Capacity of containers [l]	Power Supply [V/Hz]	Energy consumption [kWh/24h]	Net weight [kg]	Refrigerant
Krakus	-7...-20	+25/60%	1210 × 750 × 1210	60	8	58,4 (8 containers, 7.3 l each)	230/50	3,08	105	R290



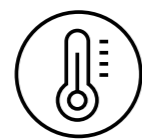
TASTE FRESHNESS CONSISTENCY TASTE FRESHNESS CONSISTENCY TASTE FRESHNESS CONSISTENCY TASTE FRESHNESS CONSISTENCY

# Ice cream storage cabinet

## Ice



Modules  
650



Temperature range  
-10...-22 [°C]



Refrigerant  
R290



Plug-in

Fan inside to support circulation  
and improve temperature uniformity

### STANDARD EQUIPMENT

- Static cooling
- Defrosting by disconnection
- Exterior body made of AISI 304 steel
- Interior made of AISI 304 steel
- Ecological refrigerant
- Solid door with replaceable gasket
- Self-closing door
- Electronic controller with digital display of temperature
- Possibility to change the temperature setting every 0.1 °C
- Visual and sound alarm of exceeded high or low temperature threshold
- Open door alarm
- Temperature sensor failure alarm
- Pin brackets and fastenings
- Metal coated shelves - 9 pieces
- Adjustable shelf position
- Adjustable legs
- Left or right door
- Door lock

### OPTIONAL EQUIPMENT

- Set of castors
- Exterior body powder-coated - RAL colour
- Metal coated shelves
- LED lightening
- Pedal opener

Drain at the  
bottom for easy  
cleaning



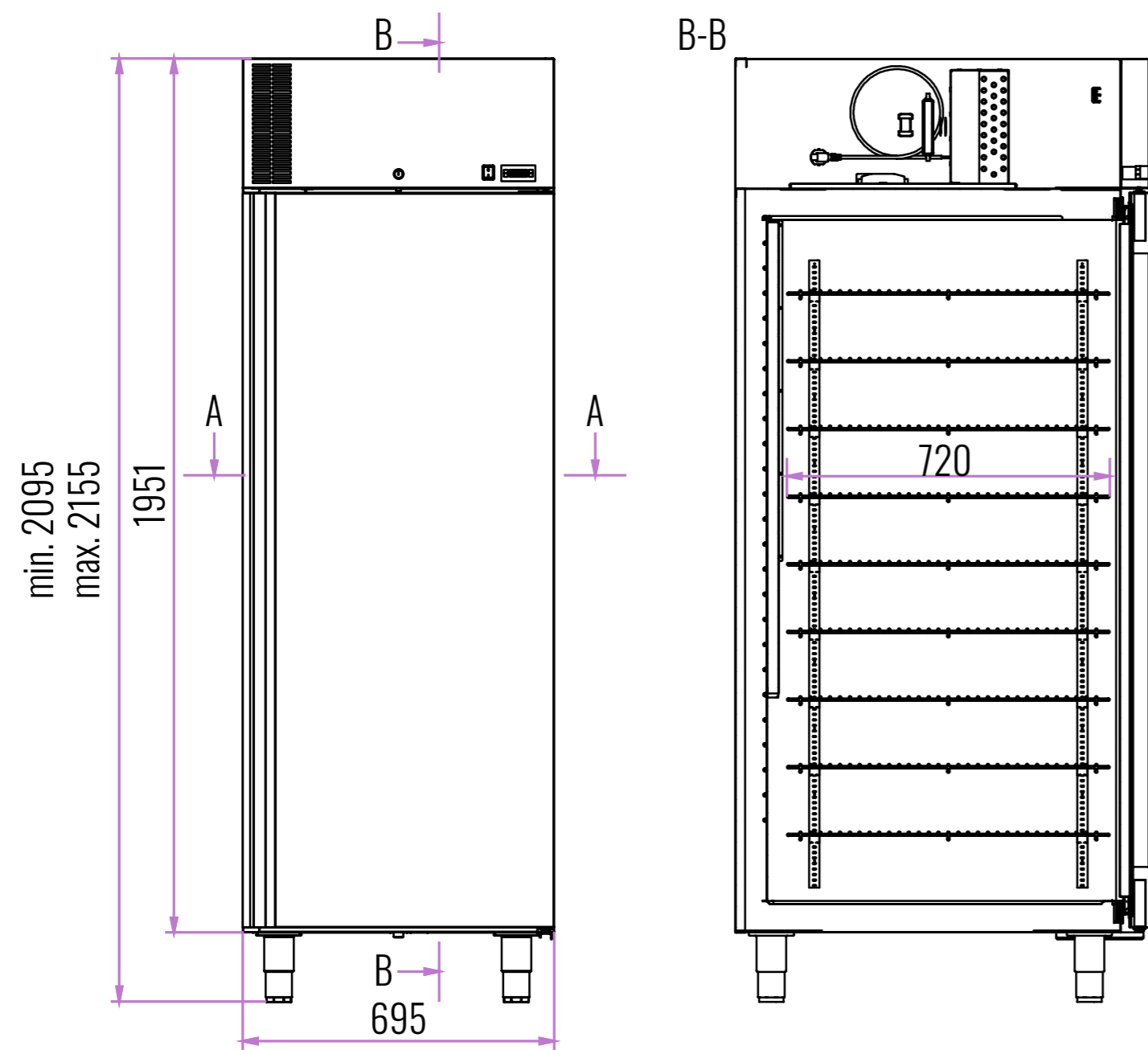
70 mm insulation  
– energy saving

Holds up to  
6 containers  
on each shelf

# Ice cream storage cabinet

*Ice*

 TECHNICAL DRAWING



EQUIPMENT FOR STORING AND DISPLAYING ICE CREAM

Model	Temperature range [°C]	Ambient conditions [°C/RH]	Capacity [l]	Dimensions [mm - dł x gł x wys]	Number of doors	Number of shelves	Max. shelf load [kg]	Max. load [kg]	Shelf dimensions [mm]	Power Supply [V/Hz]	Energy consumption [kWh/24h]	Net weight [kg]	Insulation thickness [mm]	Refrigerant	Noise level [dB]
ICE 650	-10...-22	+16 to +30/55%	54 containers, 5 l each	695x925x2095	1	9	35	305	535x720	230/50	8,9	190	70	R290	55

TASTE FRESHNESS CONSISTENCY TASTE FRESHNESS CONSISTENCY TASTE FRESHNESS CONSISTENCY TASTE FRESHNESS CONSISTENCY



PLEASE CONTACT US

BOLARUS S.A.  
ul. Wiśnicka 12  
32-700 Bochnia, Poland, EU



tel. +48 146 149 300  
sales@bolarus.com.pl  
www.bolarus.com.pl